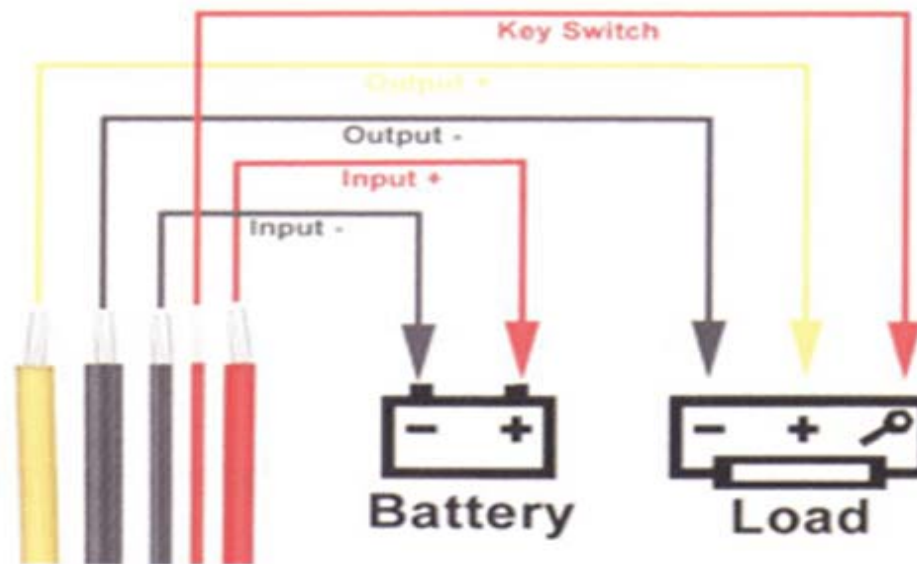


WIRING DIAGRAM

- Thick RED wire goes to BATTERY + (input power source)
- Thin BLACK wire goes to BATTERY - (input power source)
- Thick BLACK wires goes to LED CONTROLLER negative
- YELLOW wire goes to LED CONTROLLER positive (fused 12vdc)
- Thin RED wire goes to keyswitch or if you don't have one, back to BATTERY + (input, same as the thick red wire)



48/60/72vdc to 12vdc Voltage Reducer

NOTE: If your reducer comes with a nylon plug on the end of the cable, cut it off.